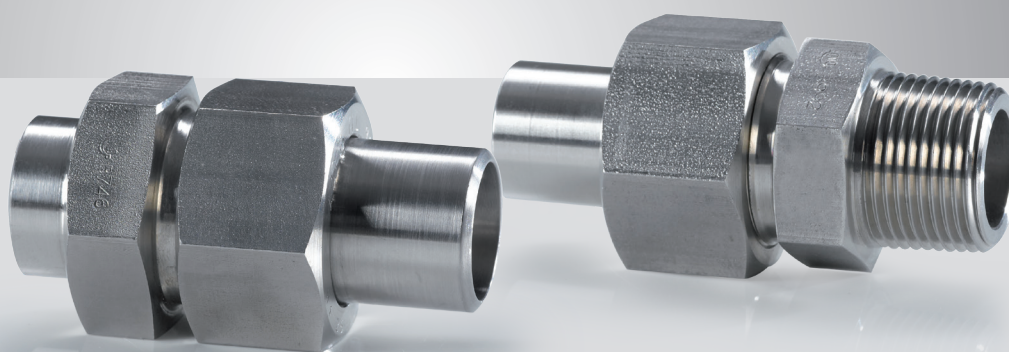


Straight unions



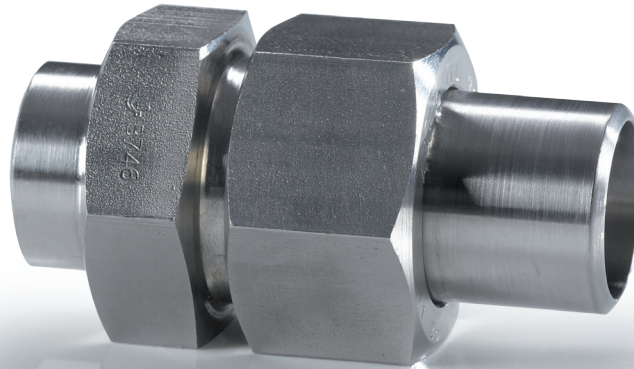
Straight DILO tube unions are available with weld-on ends for applications where high vibration resistance is required. They are also available with weld-on end and screw-in thread. Different threads enable appropriate connections.

On request, we also supply unions in materials with standing temperatures from -270 °C up to +500 °C. Permanent tightness is guaranteed, no matter which version is selected!

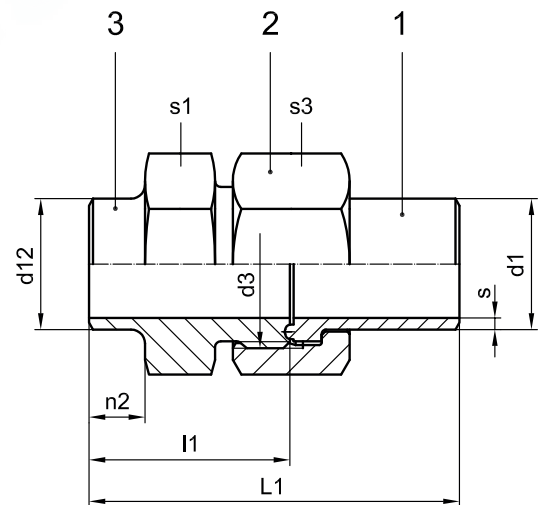
■ Straight unions

- Weld-on tube unions 18
- Screw-in tube unions with metric thread 21
- Screw-in tube unions with Whitworth thread 24
- Screw-in tube unions with NPT thread 27

Weld-on tube unions




- With weld-on ends
- Available for tube diameters from DN 3 up to DN 50
- Temperature-resistant from -270 °C up to +500 °C (dependant on the material used)
- Available for pressures up to 1.000 bar on request
- Available in DIN EN materials: 1.0460 and 1.4571
Other materials on request.
- Three-part union consisting of weld-on stub, clamping nut and weld-on screw stub



M1A Series for pressures up to PN 100:

DN	d ₁	s	d ₃	d ₁₂	L ₁	l ₁	n ₂	s ₁	s ₃	Order number	Material number	
											1.0460	1.4571
4	6	1,25	M 14x1,5	6	46	25	9	14	17	M1A 4		
6	8	1,5	M 16x1,5	8	49	26	10	17	19	M1A 6		
8	10	1,5	M 18x1,5	10	54	29	10	19	22	M1A 8		
10	12	1,75	M 20x1,5	12	57	30	10	22	24	M1A 10		
12	15	2	M 22x1,5	15	60	31	10	24	27	M1A 12		
16	18	2	M 26x1,5	18	63	32	10	27	32	M1A 16		
20	22	2	M 30x1,5	22	72	38	12	32	36	M1A 20		
25	28	2,5	M 36x2	28	80	43	12	41	41	M1A 25		
32	35	2,5	M 45x2	35	86	46	14	46	50	M1A 32		
40a	42	3	M 52x2	42	95	52	16	55	60	M1A 40a		
40	44	3	M 56x2	44	96	53	16	60	65	M1A 40		
50	57	4	M 68x2	57	106	58	18	70	75	M1A 50		

 Parts available from stock

J1A Series for pressures up to PN 100:


DN	d ₁	s	d ₃	d ₁₂	L ₁	l ₁	n ₂	s ₁	s ₃	Order number	Material number	
											1.0460	1.4571
4	6	1,25	M 14x1,5	6	46	25	9	14	17	J1A 4		
6	8	1,5	M 16x1,5	8	49	26	10	17	19	J1A 6		
8	10	1,5	M 18x1,5	10	54	29	10	19	22	J1A 8		
10	13,5	1,75	M 22x1,5	13,5	64	33	10	24	27	J1A 10		
12	17	2,5	M 24x1,5	17	65	34	10	27	30	J1A 12		
16	21	2,5	M 30x2	21	76	40	12	32	36	J1A 16		
20	27	3	M 36x2	27	81	44	12	41	41	J1A 20		
25	34	3,5	M 45x2	34	87	47	14	46	50	J1A 25		
32	42	3,5	M 52x2	42	98	54	16	55	60	J1A 32		
40	49	4	M 60x2	49	106	58	17	65	70	J1A 40		
50	60	5	M 72x2	60	114	63	20	75	80	J1A 50		

M2A Series for pressures up to PN 200:

DN	d ₁	s	d ₃	d ₁₂	L ₁	l ₁	n ₂	s ₁	s ₃	Order number	Material number	
											1.0460	1.4571
3	6	1,5	M 14x1,5	6	52	27	9	17	19	M2A 3		
4	8	2	M 16x1,5	8	53	28	10	17	22	M2A 4		
6	10	2	M 18x1,5	10	54	29	10	19	22	M2A 6		
8	12	2	M 20x1,5	12	57	30	10	22	24	M2A 8		
10	13,5	1,75	M 22x1,5	13,5	64	33	10	24	27	M2A 10		
12	16	2,5	M 24x1,5	16	65	34	10	27	30	M2A 12		
16	20	2,5	M 30x2	20	76	40	12	32	36	M2A 16		
20	25	2,5	M 36x2	25	86	45	12	41	46	M2A 20		
25	30	3	M 42x2	30	94	50	14	46	50	M2A 25		
32	38	3,5	M 52x2	38	106	56	16	55	60	M2A 32		
40	44	4,25	M 56x2	44	116	61	18	60	65	M2A 40		
50	57	6	M 68x2	57	126	66	20	70	80	M2A 50		

J2A Series for pressures up to PN 250:

DN	d ₁	s	d ₃	d ₁₂	L ₁	l ₁	n ₂	s ₁	s ₃	Order number	Material number	
											1.0460	1.4571
3	6	1,5	M 14x1,5	6	52	27	9	17	19	J2A 3		
4	8	2	M 16x1,5	8	53	28	10	17	22	J2A 4		
6	10	2	M 18x1,5	10	54	29	10	19	22	J2A 6		
8	12	2	M 20x1,5	12	57	30	10	22	24	J2A 8		
10	13,5	1,75	M 22x1,5	13,5	64	33	10	24	27	J2A 10		
12	17	2,5	M 24x1,5	17	65	34	10	27	30	J2A 12		
16	21	2,5	M 30x2	21	76	40	12	32	36	J2A 16		
20	27	3,5	M 36x2	27	86	45	12	41	46	J2A 20		
25	34	4,5	M 45x2	34	94	50	14	46	55	J2A 25		
32	42	4	M 52x2	42	106	56	16	55	60	J2A 32		
40	50	5,5	M 64x2	50	118	63	18	65	75	J2A 40		

 Parts available from stock

Weld-on tube unions

M3A Series for pressures up to PN 320:

DN	d ₁	s	d ₃	d ₁₂	L ₁	l ₁	n ₂	s ₁	s ₃	Order number	Material number	
											1.0460	1.4571
3	6	1,5	M 14x1,5	6	52	27	9	17	19	M3A 3		
4	8	2	M 16x1,5	8	53	28	10	17	22	M3A 4		
5	10	2,5	M 18x1,5	10	54	29	10	19	24	M3A 5		
6	12	3	M 20x1,5	12	61	32	10	22	27	M3A 6		
8	13,5	2,75	M 22x1,5	13,5	64	33	10	24	30	M3A 8		
10	16	3	M 24x1,5	16	73	38	12	27	32	M3A 10		
12	20	4	M 30x2	20	84	44	14	32	36	M3A 12		
16	25	4,5	M 36x2	25	92	49	14	41	46	M3A 16		
20	30	5	M 42x2	30	102	54	16	46	50	M3A 20		
25a	35	5,5	M 48x2	35	109	58	17	50	55	M3A 25a		
25	38	6	M 52x2	38	114	60	18	55	60	M3A 25		
32	44	6,75	M 60x2	44	127	66	20	65	70	M3A 32		

J3A Series for pressures up to PN 320:

DN	d ₁	s	d ₃	d ₁₂	L ₁	l ₁	n ₂	s ₁	s ₃	Order number	Material number	
											1.0460	1.4571
3	6	1,5	M 14x1,5	6	52	27	9	17	19	J3A 3		
4	8	2	M 16x1,5	8	53	28	10	17	22	J3A 4		
5	10	2,5	M 18x1,5	10	54	29	10	19	24	J3A 5		
6	12	3	M 20x1,5	12	61	32	10	22	27	J3A 6		
8	13,5	2,75	M 22x1,5	13,5	64	33	10	24	30	J3A 8		
10	17	3	M 27x2	17	76	41	12	30	36	J3A 10		
12	21	4	M 33x2	21	86	46	14	36	41	J3A 12		
16	27	4,5	M 39x2	27	94	51	14	41	46	J3A 16		
20	34	5,5	M 48x2	34	107	58	17	50	55	J3A 20		
25	42	7	M 56x2	42	116	62	18	60	65	J3A 25		
32	48	6,5	M 64x2	48	128	67	20	65	70	J3A 32		

For orders on individual parts we need the following information:

Pieces	Component	Designation	Order number	Material number
1	1	Weld-on stub	(Series)-(DN)- 1	_____
1	2	Clamping nut	(Series)-(DN)- 2	_____
1	3	Weld-on screw stub	(Series)-(DN)- 3	_____

Materials: see „Material standards“ page 6