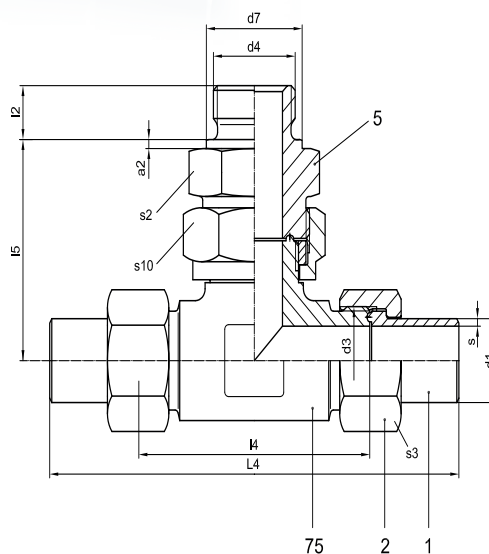


Throttlefree Tee swivel unions

with Whitworth thread



- With weld-on end (adjustable)
- Available for tube diameters from DN 3 up to DN 40
- Temperature-resistant from -270 °C up to +500 °C (dependant on the material used)
- Available in DIN EN materials: 1.0460 and 1.4571
Other materials on request.
- Six-part union consisting of 2 weld-on stubs,
2 clamping nuts, 1 screw-in stub and 1 Tee swivel
piece



SD1T-G Series for pressures up to PN 100:

DN	d ₁	s	d ₃	d ₄	d ₇	L ₄	l ₄	l ₅	i ₂	a ₂	s ₂	s ₃	s ₁₀	Order number	Material number	
															1.0460	1.4571
4	6	1,25	M 14x1,5	G 1/8 A	14	84	42	42	8	1,5	24	17	27	SD1T 4 G		
6	8	1,5	M 16x1,5	G ¼ A	18	100	54	44	12	2	27	19	30	SD1T 6 G		
8	10	1,5	M 18x1,5	G ¼ A	18	104	54	47,5	12	2	27	22	32	SD1T 8 G		
10	12	1,75	M 20x1,5	G 3/8 A	22	114	60	52	12	2,5	32	24	36	SD1T 10 G		
12	15	2	M 22x1,5	G ½ A	26	120	62	54	14	3	32	27	36	SD1T 12 G		
16	18	2	M 26x1,5	G ½ A	26	128	66	61	14	3	41	32	41	SD1T 16 G		
20	22	2	M 30x1,5	G ¾ A	32	138	70	71	16	3	46	36	46	SD1T 20 G		
25	28	2,5	M 36x2	G 1 A	39	168	94	74	18	3	46	41	50	SD1T 25 G		
32	35	2,5	M 45x2	G 1 ¼ A	49	188	108	78	20	3	55	50	60	SD1T 32 G		
40a	42	3	M 52x2	G 1 ½ A	55	210	124	83	22	3	60	60	65	SD1T 40a G		

SD2T-G Series for pressures up to PN 200:

DN	d ₁	s	d ₃	d ₄	d ₇	L ₃	l ₃	l ₅	i ₂	a ₂	s ₂	s ₃	s ₁₀	Order number	Material number	
															1.0460	1.4571
3	6	1,5	M 14x1,5	G ¼ A	18	98	46	43	12	2	24	19	27	SD2T 3 G		
4	8	2	M 16x1,5	G ¼ A	18	106	54	43	12	2	24	22	27	SD2T 4 G		
6	10	2	M 18x1,5	G 3/8 A	22	106	54	45	12	2,5	27	22	30	SD2T 6 G		
8	12	2	M 20x1,5	G 3/8 A	22	114	58	51	12	2,5	30	24	32	SD2T 8 G		
10	13,5	1,75	M 22x1,5	G ½ A	26	126	62	55	14	3	32	27	36	SD2T 10 G		
12	16	2,5	M 24x1,5	G ½ A	26	130	66	61	14	3	36	30	41	SD2T 12 G		
16	20	2,5	M 30x1,5	G ¾ A	32	142	68	70	16	3	41	36	46	SD2T 16 G		
20	25	2,5	M 36x2	G 1 A	39	180	96	72	18	3	46	46	50	SD2T 20 G		
25	30	3	M 42x2	G 1 ¼ A	49	196	106	80	20	3	50	50	55	SD2T 25 G		
32	38	3,5	M 52x2	G 1 ½ A	55	224	122	86	22	3	60	60	65	SD2T 32 G		

SD3T-G Series for pressures up to PN 320:

DN	d ₁	s	d ₃	d ₄	d ₇	L ₃	l ₃	l ₅	i ₂	a ₂	s ₂	s ₃	s ₁₀	Order number	Material number	
															1.0460	1.4571
3	6	1,5	M 14x1,5	G ¼ A	18	96	46	44	12	2	24	19	27	SD3T 3 G		
4	8	2	M 16x1,5	G ¼ A	18	104	54	44	12	2	24	22	27	SD3T 4 G		
5	10	2,5	M 18x1,5	G 3/8 A	22	104	54	49	12	2,5	27	24	30	SD3T 5 G		
6	12	3	M 20x1,5	G 3/8 A	22	118	60	50	12	2,5	27	27	30	SD3T 6 G		
8	13,5	2,75	M 22x1,5	G ½ A	26	126	64	55	14	3	30	30	36	SD3T 8 G		
10	16	3	M 24x1,5	G ½ A	26	136	66	58	14	3	32	32	36	SD3T 10 G		
12	20	4	M 30x1,5	G ¾ A	32	148	70	69	16	3	36	36	41	SD3T 12 G		
16	25	4,5	M 36x2	G 1 A	39	183	97	72	18	3	46	46	50	SD3T 16 G		
20	30	5	M 42x2	G 1 ¼ A	49	208	112	79	20	3	50	50	55	SD3T 20 G		
25a	35	5,5	M 48x2	G 1 ½ A	55	227	126	87	22	3	60	55	65	SD3T 25a G		
25	38	6	M 52x2	G 1 ½ A	55	234	126	87	22	3	60	60	65	SD3T 25 G		

For orders on individual parts we need the following information:

Pieces	Component	Designation	Order number	Material number
2	1	Weld-on stub	(M-Series)-(DN)- 1	_____
2	2	Clamping nut	(M-Series)-(DN)- 2	_____
1	5	Screw-in stub	(SD-Series)-(DN)- 5	_____
1	75	Tee swivel piece	(SD-Series)-(DN)- 75	_____

Materials: see „Material standards“ page 6

Accessories: copper seals
see page 66

