

Superheated steam unions



Where high temperatures have to be withstood DILO superheated steam unions demonstrate its greatest strength. They are available as weld-on or screw-in version, including different thread types withstanding pressures up to PN 100.

■ Superheated steam unions

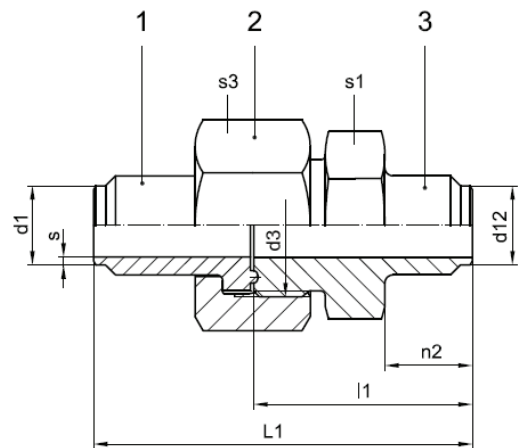
- Superheated steam weld-on unions 52
- Superheated steam screw-in unions with metric thread 54
- Superheated steam screw-in unions with Whitworth thread 56
- Blanking disks 58

Superheated steam weld-on unions

up to 500 °C operating temperature



- With weld-on ends
- Available for pressures up to PN 100
- Available for tube diameters from DN 3 up to DN 40
- High temperature-resistant 1.7335 steel
- Special materials for higher temperatures on request
- Three-part union consisting of weld-on stub, clamping nut and weld-on screw stub



MH1A Series for pressures up to PN 100:

DN	d ₁	s	d ₃	d ₁₂	L ₁	l ₁	n ₂	s ₁	s ₃	Order number	Material number 1.7335
3	6	1,5	M 16x1,5	6	53	28	10	17	22	MH1A 3	
4	8	2	M 18x1,5	8	58	33	14	19	22	MH1A 4	
6	10	2	M 20x1,5	10	64	37	17	22	24	MH1A 6	
8	12	2	M 22x1,5	12	71	40	17	24	27	MH1A 8	
10	13,5	1,75	M 24x1,5	13,5	75	44	20	27	30	MH1A 10	
12	16	2	M 30x2	16	84	48	20	32	36	MH1A 12	
16	20	2	M 36x2	20	96	55	22	41	46	MH1A 16	
20	25	2,5	M 42x2	25	106	62	26	46	50	MH1A 20	
25	30	3	M 52x2	30	118	68	28	55	60	MH1A 25	
32	38	3,5	M 56x2	38	129	74	31	60	65	MH1A 32	
40	44	4,25	M 68x2	44	139	80	34	70	80	MH1A 40	



JH1A Series for pressures up to PN 100:

DN	d ₁	s	d ₃	d ₁₂	L ₁	l ₁	n ₂	s ₁	s ₃	Order number	Material number 1.7335
3	6	1,5	M 16x1,5	6	53	28	10	17	22	JH1A 3	
4	8	2	M 18x1,5	8	58	33	14	19	22	JH1A 4	
6	10	2	M 20x1,5	10	64	37	17	22	24	JH1A 6	
8	12	2	M 22x1,5	12	71	40	17	24	27	JH1A 8	
10	13,5	1,75	M 24x1,5	13,5	75	44	20	27	30	JH1A 10	
12	17	2,5	M 30x2	17	83	47	20	32	36	JH1A 12	
16	21	2,5	M 36x2	21	96	55	22	41	46	JH1A 16	
20	27	3	M 42x2	27	106	62	26	46	50	JH1A 20	
25	34	4	M 52x2	34	118	68	28	55	60	JH1A 25	
32	42	3,5	M 56x2	42	129	74	31	60	65	JH1A 32	
40	48	4	M 68x2	48	141	81	34	70	80	JH1A 40	

For orders on individual parts we need the following information:

Pieces	Component	Designation	Order number	Material number
1	1	Weld-on stub	(Series)-(DN)- 1	_____
1	2	Clamping nut	(Series)-(DN)- 2	_____
1	3	Weld-on screw stub	(Series)-(DN)- 3	_____

Material:

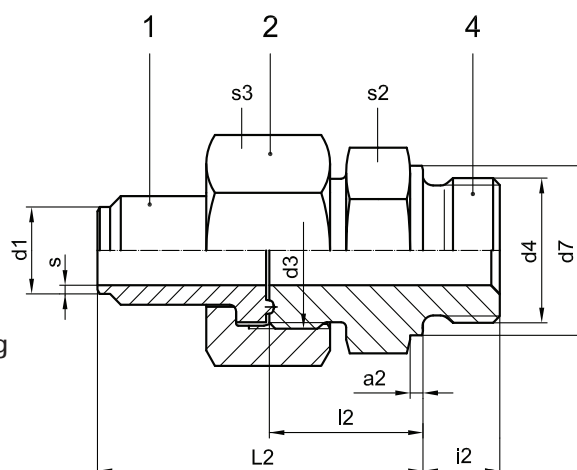
Material number acc. to DIN	Material specification	AISI material specification	DILO material code letter
1.7335	13CrMo4-5	A 182	D

Superheated steam screw-in unions

up to 500 °C operating temperature with metric thread



- With weld-on end and screw-in thread
- Available for pressures up to PN 100
- Available for tube diameters from DN 3 up to DN 40
- High temperature-resistant 1.7335 steel
- Special materials for higher temperatures on request
- Three-part union consisting of weld-on stub, clamping nut and screw-in stub



MH1B Series for pressures up to PN 100:

DN	d ₁	s	d ₃	d ₄	d ₇	L ₂	l ₂	i ₂	a ₂	s ₂	s ₃	Order number	Material number 1.7335
3	6	1,5	M 16x1,5	M 14x1,5	19	46	21	12	2	19	22	MH1B 3	
4	8	2	M 18x1,5	M 16x1,5	21	47	22	12	2	22	22	MH1B 4	
6	10	2	M 20x1,5	M 18x1,5	23	51	24	12	2,5	24	24	MH1B 6	
8	12	2	M 22x1,5	M 20x1,5	25	58	27	14	2,5	27	27	MH1B 8	
10	13,5	1,75	M 24x1,5	M 22x1,5	27	58	27	14	3	27	30	MH1B 10	
12	16	2	M 30x2	M 27x2	32	67	31	16	3	32	36	MH1B 12	
16	20	2	M 36x2	M 33x2	39	77	36	18	3	41	46	MH1B 16	
20	25	2,5	M 42x2	M 42x2	49	84	40	20	3	50	50	MH1B 20	
25	30	3	M 52x2	M 48x2	55	93	43	22	3	55	60	MH1B 25	
32	38	3,5	M 56x2	M 56x2	64	103	48	24	3,5	65	65	MH1B 32	
40	44	4,25	M 68x2	M 60x2	68	109	50	24	3,5	70	80	MH1B 40	

JH1B Series for pressures up to PN 100:

DN	d ₁	s	d ₃	d ₄	d ₇	L ₂	l ₂	i ₂	a ₂	s ₂	s ₃	Order number	Material number 1.7335
3	6	1,5	M 16x1,5	M 14x1,5	19	46	21	12	2	19	22	JH1B 3	
4	8	2	M 18x1,5	M 16x1,5	21	47	22	12	2	22	22	JH1B 4	
6	10	2	M 20x1,5	M 18x1,5	23	51	24	12	2,5	24	24	JH1B 6	
8	12	2	M 22x1,5	M 20x1,5	25	58	27	14	2,5	27	27	JH1B 8	
10	13,5	1,75	M 24x1,5	M 22x1,5	27	58	27	14	3	27	30	JH1B 10	
12	17	2,5	M 30x2	M 27x2	32	67	31	16	3	32	36	JH1B 12	
16	21	2,5	M 36x2	M 33x2	39	77	36	18	3	41	46	JH1B 16	
20	27	3	M 42x2	M 42x2	49	84	40	20	3	50	50	JH1B 20	
25	34	4	M 52x2	M 48x2	55	93	43	22	3	55	60	JH1B 25	
32	42	3,5	M 56x2	M 56x2	64	103	48	24	3,5	65	65	JH1B 32	
40	48	4	M 68x2	M 60x2	68	110	50	24	3,5	70	80	JH1B 40	

For orders on individual parts we need the following information:

Pieces	Component	Designation	Order number	Material number
1	1	Weld-on stub	(Series)-(DN)- 1	_____
1	2	Clamping nut	(Series)-(DN)- 2	_____
1	4	Screw-in stub	(Series)-(DN)- 4	_____

Material:

Material number acc. to DIN	Material specification	AISI material specification	DILO material code letter
1.7335	13CrMo4-5	A 182	D