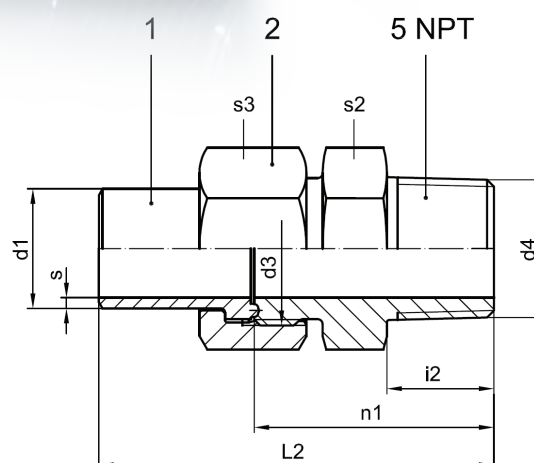


Screw-in tube unions

with NPT thread




- With weld-on end and screw-in thread
- Available for tube diameters from DN 3 up to DN 50
- Temperature-resistant from -270 °C up to +500 °C (dependant on the material used)
- Available in DIN 1.0460, 1.4571 and 1.7335 materials
- Three-part union consisting of weld-on stub, clamping nut and screw-in stub



M1B-NPT Series for pressures up to PN 100:

DN	d ₁	s	d ₃	d ₄	L ₂	n ₁	i ₂	s ₂	s ₃	Bestellzeichen	Material number	
											1.0460	1.4571
4	6	1,25	M 14x1,5	1/8 NPT	47	26	10	14	17	M1B 4 NPT		
6	8	1,5	M 16x1,5	1/4 NPT	55	32	15	19	19	M1B 6 NPT		
8	10	1,5	M 18x1,5	1/4 NPT	59	34	15	19	22	M1B 8 NPT		
10	12	1,75	M 20x1,5	3/8 NPT	62	35	15	22	24	M1B 10 NPT		
12	15	2	M 22x1,5	1/2 NPT	71	42	20	27	27	M1B 12 NPT		
16	18	2	M 26x1,5	1/2 NPT	73	42	20	27	32	M1B 16 NPT		
20	22	2	M 30x1,5	3/4 NPT	80	46	20	32	36	M1B 20 NPT		
25	28	2,5	M 36x2	1 NPT	93	56	25	41	41	M1B 25 NPT		
32	35	2,5	M 45x2	1 1/4 NPT	98	58	25,5	50	50	M1B 32 NPT		
40a	42	3	M 52x2	1 1/2 NPT	105	62	26	55	60	M1B 40a NPT		
40	44	3	M 56x2	1 1/2 NPT	106	63	26	60	65	M1B 40 NPT		
50	57	4	M 68x2	2 NPT	115	67	27	70	75	M1B 50 NPT		

 Parts available from stock

Screw-in tube unions

with NPT thread

J1B-NPT Series for pressures up to PN 100:

DN	d ₁	s	d ₃	d ₄	L ₂	n ₁	i ₂	s ₂	s ₃	Order number	Material number	
											1.0460	1.4571
4	6	1,25	M 14x1,5	1/8 NPT	47	26	10	14	17	J1B 4 NPT		
6	8	1,5	M 16x1,5	¼ NPT	55	32	15	19	19	J1B 6 NPT		
8	10	1,5	M 18x1,5	¼ NPT	59	34	15	19	22	J1B 8 NPT		
10	13,5	1,75	M 22x1,5	3/8 NPT	71	40	15	24	27	J1B 10 NPT		
12	17	2,5	M 24x1,5	½ NPT	77	46	20	27	30	J1B 12 NPT		
16	21	2,5	M 30x2	¾ NPT	86	50	20	32	36	J1B 16 NPT		
20	27	3	M 36x2	1 NPT	94	57	25	41	41	J1B 20 NPT		
25	34	3,5	M 45x2	1 ¼ NPT	102	62	25,5	46	50	J1B 25 NPT		
32	42	3,5	M 52x2	1 ½ NPT	109	65	26	55	60	J1B 32 NPT		
40	49	4	M 60x2	2 NPT	119	71	27	65	70	J1B 40 NPT		
50	60	5	M 72x2	2 NPT	124	73	27	75	80	J1B 50 NPT		

M2B-NPT Series for pressures up to PN 200:

DN	d ₁	s	d ₃	d ₄	L ₂	n ₁	i ₂	s ₂	s ₃	Order number	Material number	
											1.0460	1.4571
3	6	1,5	M 14x1,5	¼ NPT	59	34	15	19	19	M2B 3 NPT		
4	8	2	M 16x1,5	¼ NPT	59	34	15	19	22	M2B 4 NPT		
6	10	2	M 18x1,5	3/8 NPT	60	35	15	22	22	M2B 6 NPT		
8	12	2	M 20x1,5	3/8 NPT	62	35	15	22	24	M2B 8 NPT		
10	13,5	1,75	M 22x1,5	½ NPT	75	44	20	27	27	M2B 10 NPT		
12	16	2,5	M 24x1,5	½ NPT	75	44	20	27	30	M2B 12 NPT		
16	20	2,5	M 30x2	¾ NPT	84	48	20	32	36	M2B 16 NPT		
20	25	2,5	M 36x2	1 NPT	99	58	25	41	46	M2B 20 NPT		
25	30	3	M 42x2	1 ¼ NPT	106	62	25,5	50	50	M2B 25 NPT		
32	38	3,5	M 52x2	1 ½ NPT	116	66	26	55	60	M2B 32 NPT		
40	44	4,25	M 56x2	2 NPT	126	71	27	65	65	M2B 40 NPT		
50	57	6	M 68x2	2 NPT	133	73	27	70	80	M2B 50 NPT		

J2B-NPT Series for pressures up to PN 250:

DN	d ₁	s	d ₃	d ₄	L ₂	n ₁	i ₂	s ₂	s ₃	Order number	Material number	
											1.0460	1.4571
3	6	1,5	M 14x1,5	¼ NPT	59	34	15	19	19	J2B 3 NPT		
4	8	2	M 16x1,5	¼ NPT	59	34	15	19	22	J2B 4 NPT		
6	10	2	M 18x1,5	3/8 NPT	60	35	15	22	22	J2B 6 NPT		
8	12	2	M 20x1,5	3/8 NPT	62	35	15	22	24	J2B 8 NPT		
10	13,5	1,75	M 22x1,5	½ NPT	75	44	20	27	27	J2B 10 NPT		
12	17	2,5	M 24x1,5	½ NPT	77	46	20	27	30	J2B 12 NPT		
16	21	2,5	M 30x2	¾ NPT	86	50	20	32	36	J2B 16 NPT		
20	27	3,5	M 36x2	1 NPT	99	58	25	41	46	J2B 20 NPT		
25	34	4,5	M 45x2	1 ¼ NPT	107	63	25,5	50	55	J2B 25 NPT		
32	42	4	M 52x2	1 ½ NPT	118	66	26	55	60	J2B 32 NPT		
40	50	5,5	M 64x2	2 NPT	129	73	27	65	75	J2B 40 NPT		

M3B-NPT Series for pressures up to PN 320:

DN	d ₁	s	d ₃	d ₄	L ₂	n ₁	i ₂	s ₂	s ₃	Order number	Material number	
											1.0460	1.4571
3	6	1,5	M 14x1,5	¼ NPT	59	34	15	19	19	M3B 3 NPT		
4	8	2	M 16x1,5	¼ NPT	59	34	15	19	22	M3B 4 NPT		
5	10	2,5	M 18x1,5	3/8 NPT	60	35	15	22	24	M3B 5 NPT		
6	12	3	M 20x1,5	3/8 NPT	66	37	15	22	27	M3B 6 NPT		
8	13,5	2,75	M 22x1,5	½ NPT	75	44	20	27	30	M3B 8 NPT		
10	16	3	M 24x1,5	½ NPT	81	46	20	27	32	M3B 10 NPT		
12	20	4	M 30x2	¾ NPT	90	50	20	32	36	M3B 12 NPT		
16	25	4,5	M 36x2	1 NPT	103	60	25	41	46	M3B 16 NPT		
20	30	5	M 42x2	1 ¼ NPT	112	64	25,5	50	50	M3B 20 NPT		
25a	35	5,5	M 48x2	1 ½ NPT	119	68	26	55	55	M3B 25a NPT		
25	38	6	M 52x2	1 ½ NPT	122	68	26	55	60	M3B 25 NPT		
32	44	6,75	M 60x2	2 NPT	134	73	27	65	70	M3B 32 NPT		

J3B-NPT Series for pressures up to PN 320:

DN	d ₁	s	d ₃	d ₄	L ₂	n ₁	i ₂	s ₂	s ₃	Order number	Material number	
											1.0460	1.4571
3	6	1,5	M 14x1,5	¼ NPT	59	34	15	19	19	J3B 3 NPT		
4	8	2	M 16x1,5	¼ NPT	59	34	15	19	22	J3B 4 NPT		
5	10	2,5	M 18x1,5	3/8 NPT	60	35	15	22	24	J3B 5 NPT		
6	12	3	M 20x1,5	3/8 NPT	66	37	15	22	27	J3B 6 NPT		
8	13,5	2,75	M 22x1,5	½ NPT	75	44	20	27	30	J3B 8 NPT		
10	17	3	M 27x2	½ NPT	87	52	20	30	36	J3B 10 NPT		
12	21	4	M 33x2	¾ NPT	95	55	20	36	41	J3B 12 NPT		
16	27	4,5	M 39x2	1 NPT	107	64	25	41	46	J3B 16 NPT		
20	34	5,5	M 48x2	1 ¼ NPT	119	70	25,5	50	55	J3B 20 NPT		
25	42	7	M 56x2	1 ½ NPT	127	73	26	60	65	J3B 25 NPT		
32	48	6,5	M 64x2	2 NPT	138	77	27	65	70	J3B 32 NPT		

For orders on individual parts we need the following information:

Pieces	Component	Designation	Order number	Material number
1	1	Weld-on stub	(Series)-(DN)- 1	_____
1	2	Clamping nut	(Series)-(DN)- 2	_____
1	5 NPT	Screw-in stub	(Series)-(DN)- 5 NPT	_____

Materials: see „Material standards“ page 6