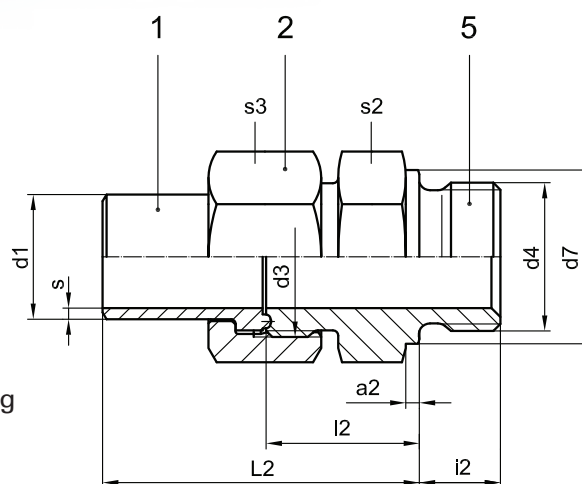


# Screw-in tube unions

with Whitworth thread



- With weld-on end and screw-in thread
- Available for tube diameters from DN 3 up to DN 50
- Temperature-resistant from -270 °C up to +500 °C (dependant on the material used)
- Available for pressures up to 1.000 bar on request
- Available in DIN 1.0460, 1.4571 and 1.7335 materials
- Three-part union consisting of weld-on stub, clamping nut and screw-in stub



## M1B-G Series for pressures up to PN 100:

DN	d <sub>1</sub>	s	d <sub>3</sub>	d <sub>4</sub>	d <sub>7</sub>	L <sub>2</sub>	l <sub>2</sub>	i <sub>2</sub>	a <sub>2</sub>	s <sub>2</sub>	s <sub>3</sub>	Order number	Material number	
													1.0460	1.4571
4	6	1,25	M 14x1,5	G 1/8 A	14	39	18	8	1,5	14	17	M1B 4 G		
6	8	1,5	M 16x1,5	G 1/4 A	18	41	18	12	2	19	19	M1B 6 G		
8	10	1,5	M 18x1,5	G 1/4 A	18	46	21	12	2	19	22	M1B 8 G		
10	12	1,75	M 20x1,5	G 3/8 A	22	49	22	12	2,5	22	24	M1B 10 G		
12	15	2	M 22x1,5	G 1/2 A	26	54	25	14	3	27	27	M1B 12 G		
16	18	2	M 26x1,5	G 1/2 A	26	56	25	14	3	27	32	M1B 16 G		
20	22	2	M 30x1,5	G 3/4 A	32	63	29	16	3	32	36	M1B 20 G		
25	28	2,5	M 36x2	G 1 A	39	71	34	18	3	41	41	M1B 25 G		
32	35	2,5	M 45x2	G 1 1/4 A	49	76	36	20	3	50	50	M1B 32 G		
40a	42	3	M 52x2	G 1 1/2 A	55	82	39	22	3	55	60	M1B 40a G		
40	44	3	M 56x2	G 1 1/2 A	55	83	40	22	3	60	65	M1B 40 G		
50	57	4	M 68x2	G 2 A	68	92	44	24	3,5	70	75	M1B 50 G		

Parts available from stock

### J1B-G Series for pressures up to PN 100:


DN	d <sub>1</sub>	s	d <sub>3</sub>	d <sub>4</sub>	d <sub>7</sub>	L <sub>2</sub>	l <sub>2</sub>	i <sub>2</sub>	a <sub>2</sub>	s <sub>2</sub>	s <sub>3</sub>	Bestellzei- chen	Material number	
													1.0460	1.4571
4	6	1,25	M 14x1,5	G 1/8 A	14	39	18	8	1,5	14	17	J1B 4 G		
6	8	1,5	M 16x1,5	G ¼ A	18	41	18	12	2	19	19	J1B 6 G		
8	10	1,5	M 18x1,5	G ¼ A	18	46	21	12	2	19	22	J1B 8 G		
10	13,5	1,75	M 22x1,5	G 3/8 A	22	57	26	12	2,5	24	27	J1B 10 G		
12	17	2,5	M 24x1,5	G ½ A	26	58	27	14	3	27	30	J1B 12 G		
16	21	2,5	M 30x2	G ¾ A	32	67	31	16	3	32	36	J1B 16 G		
20	27	3	M 36x2	G 1 A	39	73	36	18	3	41	41	J1B 20 G		
25	34	3,5	M 45x2	G 1 ¼ A	49	76	36	20	3	50	50	J1B 25 G		
32	42	3,5	M 52x2	G 1 ½ A	55	84	40	22	3	55	60	J1B 32 G		
40	49	4	M 60x2	G 1 ¾ A	62	92	44	24	3,5	65	70	J1B 40 G		
50	60	5	M 72x2	G 2 A	68	97	46	24	3,5	75	80	J1B 50 G		

### M2B-G Series for pressures up to PN 200:

DN	d <sub>1</sub>	s	d <sub>3</sub>	d <sub>4</sub>	d <sub>7</sub>	L <sub>2</sub>	l <sub>2</sub>	i <sub>2</sub>	a <sub>2</sub>	s <sub>2</sub>	s <sub>3</sub>	Bestellzei- chen	Material number	
													1.0460	1.4571
3	6	1,5	M 14x1,5	G ¼ A	18	46	21	12	2	19	19	M2B 3 G		
4	8	2	M 16x1,5	G ¼ A	18	46	21	12	2	19	22	M2B 4 G		
6	10	2	M 18x1,5	G 3/8 A	22	48	23	12	2,5	22	22	M2B 6 G		
8	12	2	M 20x1,5	G 3/8 A	22	50	23	12	2,5	22	24	M2B 8 G		
10	13,5	1,75	M 22x1,5	G ½ A	26	58	27	14	3	27	27	M2B 10 G		
12	16	2,5	M 24x1,5	G ½ A	26	58	27	14	3	27	30	M2B 12 G		
16	20	2,5	M 30x2	G ¾ A	32	67	31	16	3	32	36	M2B 16 G		
20	25	2,5	M 36x2	G 1 A	39	77	36	18	3	41	46	M2B 20 G		
25	30	3	M 42x2	G 1 ¼ A	49	84	40	20	3	50	50	M2B 25 G		
32	38	3,5	M 52x2	G 1 ½ A	55	93	43	22	3	55	60	M2B 32 G		
40	44	4,25	M 56x2	G 1 ¾ A	62	102	47	24	3,5	65	65	M2B 40 G		
50	57	6	M 68x2	G 2 A	68	109	49	24	3,5	70	80	M2B 50 G		

### J2B-G Series for pressures up to PN 250:

DN	d <sub>1</sub>	s	d <sub>3</sub>	d <sub>4</sub>	d <sub>7</sub>	L <sub>2</sub>	l <sub>2</sub>	i <sub>2</sub>	a <sub>2</sub>	s <sub>2</sub>	s <sub>3</sub>	Bestellzei- chen	Material number	
													1.0460	1.4571
3	6	1,5	M 14x1,5	G ¼ A	18	46	21	12	2	19	19	J2B 3 G		
4	8	2	M 16x1,5	G ¼ A	18	46	21	12	2	19	22	J2B 4 G		
6	10	2	M 18x1,5	G 3/8 A	22	48	23	12	2,5	22	22	J2B 6 G		
8	12	2	M 20x1,5	G 3/8 A	22	50	23	12	2,5	22	24	J2B 8 G		
10	13,5	1,75	M 22x1,5	G ½ A	26	58	27	14	3	27	27	J2B 10 G		
12	17	2,5	M 24x1,5	G ½ A	26	59	28	14	3	27	30	J2B 12 G		
16	21	2,5	M 30x2	G ¾ A	32	68	32	16	3	32	36	J2B 16 G		
20	27	3,5	M 36x2	G 1 A	39	77	36	18	3	41	46	J2B 20 G		
25	34	4,5	M 45x2	G 1 ¼ A	49	85	41	20	3	50	55	J2B 25 G		
32	42	4	M 52x2	G 1 ½ A	55	94	44	22	3	55	60	J2B 32 G		
40	50	5,5	M 64x2	G 1 ¾ A	62	102	47	24	3,5	65	75	J2B 40 G		

 Parts available from stock

# Screw-in tube unions

with Whitworth thread

**M3B-G Series for pressures up to PN 320:**

DN	d <sub>1</sub>	s	d <sub>3</sub>	d <sub>4</sub>	d <sub>7</sub>	L <sub>2</sub>	l <sub>2</sub>	i <sub>2</sub>	a <sub>2</sub>	s <sub>2</sub>	s <sub>3</sub>	Order number	Material number	
													1.0460	1.4571
3	6	1,5	M 14x1,5	G ¼ A	18	46	21	12	2	19	19	M3B 3 G		
4	8	2	M 16x1,5	G ¼ A	18	46	21	12	2	19	22	M3B 4 G		
5	10	2,5	M 18x1,5	G 3/8A	22	48	23	12	2,5	22	24	M3B 5 G		
6	12	3	M 20x1,5	G 3/8 A	22	54	25	12	2,5	22	27	M3B 6 G		
8	13,5	2,75	M 22x1,5	G ½ A	26	58	27	14	3	27	30	M3B 8 G		
10	16	3	M 24x1,5	G ½ A	26	64	29	14	3	27	32	M3B 10 G		
12	20	4	M 30x2	G ¾ A	32	73	33	16	3	32	36	M3B 12 G		
16	25	4,5	M 36x2	G 1 A	39	81	38	18	3	41	46	M3B 16 G		
20	30	5	M 42x2	G 1 ¼ A	49	90	42	20	3	50	50	M3B 20 G		
25a	35	5,5	M 48x2	G 1 ½ A	55	96	45	22	3	55	55	M3B 25a G		
25	38	6	M 52x2	G 1 ½ A	55	99	45	22	3	55	60	M3B 25 G		
32	44	6,75	M 60x2	G 1 ¾ A	62	110	49	24	3,5	65	70	M3B 32 G		

**J3B-G Series for pressures up to PN 320:**

DN	d <sub>1</sub>	s	d <sub>3</sub>	d <sub>4</sub>	d <sub>7</sub>	L <sub>2</sub>	l <sub>2</sub>	i <sub>2</sub>	a <sub>2</sub>	s <sub>2</sub>	s <sub>3</sub>	Order number	Material number	
													1.0460	1.4571
3	6	1,5	M 14x1,5	G ¼ A	18	46	21	12	2	19	19	J3B 3 G		
4	8	2	M 16x1,5	G ¼ A	18	46	21	12	2	19	22	J3B 4 G		
5	10	2,5	M 18x1,5	G 3/8A	22	48	23	12	2,5	22	24	J3B 5 G		
6	12	3	M 20x1,5	G 3/8 A	22	54	25	12	2,5	22	27	J3B 6 G		
8	13,5	2,75	M 22x1,5	G ½ A	26	58	27	14	3	27	30	J3B 8 G		
10	17	3	M 27x2	G ½ A	26	67	32	14	3	30	36	J3B 10 G		
12	21	4	M 33x2	G ¾ A	32	75	35	16	3	36	41	J3B 12 G		
16	27	4,5	M 39x2	G 1 A	39	82	39	18	3	41	46	J3B 16 G		
20	34	5,5	M 48x2	G 1 ¼ A	49	94	45	20	3	50	55	J3B 20 G		
25	42	7	M 56x2	G 1 ½ A	55	101	47	22	3	60	65	J3B 25 G		
32	48	6,5	M 64x2	G 1 ¾ A	62	111	50	24	3,5	65	70	J3B 32 G		

For orders on individual parts we need the following information:

Pieces	Component	Designation	Order number	Material number
1	1	Weld-on stub	(Series)-(DN)- 1	_____
1	2	Clamping nut	(Series)-(DN)- 2	_____
1	5	Screw-in stub	(Series)-(DN)- 5	_____

**Materials: see „Material standards“ page 6**

Accessories: copper seals  
see page 66

