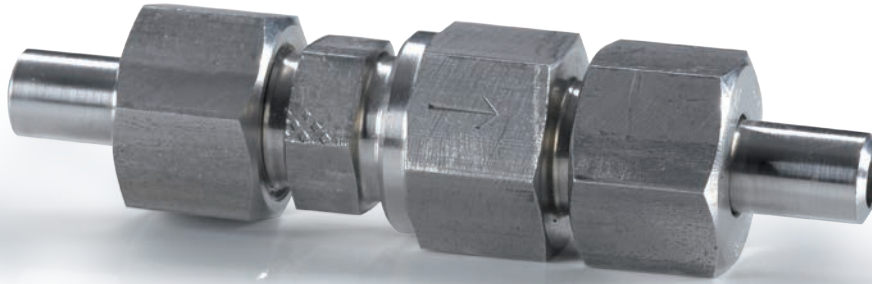
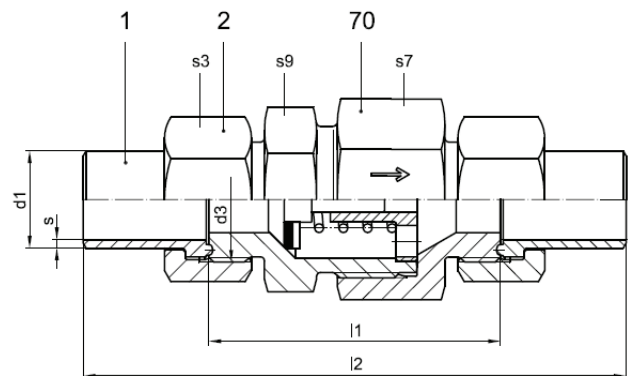


# Non-return valves



- Delivery complete with DILO connecting parts
- Temperature range: -20 °C to +70 °C (media-dependent)
- Response pressure: about 1 bar
- Rubber seal: Perbunan
- Available in DIN 1.0460 and 1.4571 materials



## M1RV Series for pressures up to PN 100:

DN	d <sub>1</sub>	s	d <sub>3</sub>	l <sub>1</sub>	l <sub>2</sub>	s <sub>3</sub>	s <sub>7</sub>	s <sub>9</sub>	Order number
4	6	1,25	M 14x1,5	57	98	17	27	24	M1-RV-4
6	8	1,5	M 16x1,5	57	102	19	27	24	M1-RV-6
8	10	1,5	M 18x1,5	61	110	22	27	24	M1-RV-8
10	12	1,75	M 20x1,5	61	114	24	27	24	M1-RV-10
12	15	2	M 22x1,5	64	121	27	30	27	M1-RV-12
16	18	2	M 26x1,5	65	126	32	36	30	M1-RV-16
20	22	2	M 30x1,5	76	143	36	46	41	M1-RV-20
25	28	2,5	M 36x2	84	157	41	50	46	M1-RV-25
32	35	2,5	M 45x2	91	170	50	60	55	M1-RV-32

### J1RV Series for pressures up to PN 100:

DN	d <sub>1</sub>	s	d <sub>3</sub>	l <sub>1</sub>	l <sub>2</sub>	s <sub>3</sub>	s <sub>7</sub>	s <sub>9</sub>	Order number
4	6	1,25	M 14x1,5	57	98	17	27	24	J1-RV-4
6	8	1,5	M 16x1,5	57	102	19	27	24	J1-RV-6
8	10	1,5	M 18x1,5	61	110	22	27	24	J1-RV-8
10	13,5	1,75	M 22x1,5	68	130	27	30	24	J1-RV-10
12	17	2,5	M 24x1,5	68	130	30	30	24	J1-RV-12
16	21	2,5	M 30x2	80	152	36	41	36	J1-RV-16
20	27	3	M 36x2	80	154	41	46	41	J1-RV-20
25	34	3,5	M 45x2	91	171	50	60	55	J1-RV-25

### M2RV Series for pressures up to PN 200:

DN	d <sub>1</sub>	s	d <sub>3</sub>	l <sub>1</sub>	l <sub>2</sub>	s <sub>3</sub>	s <sub>7</sub>	s <sub>9</sub>	Order number
3	6	1,5	M 14x1,5	61	110	19	27	24	M2-RV-3
4	8	2	M 16x1,5	61	110	22	27	24	M2-RV-4
6	10	2	M 18x1,5	61	110	22	27	24	M2-RV-6
8	12	2	M 20x1,5	61	114	24	27	24	M2-RV-8
10	13,5	1,75	M 22x1,5	68	129	27	30	27	M2-RV-10
12	16	2,5	M 24x1,5	68	129	30	30	27	M2-RV-12
16	20	2,5	M 30x2	80	151	36	41	36	M2-RV-16
20	25	2,5	M 36x2	84	165	46	46	41	M2-RV-20
25	30	3	M 42x2	98	185	50	55	50	M2-RV-25

### J2RV Series for pressures up to PN 250:

DN	d <sub>1</sub>	s	d <sub>3</sub>	l <sub>1</sub>	l <sub>2</sub>	s <sub>3</sub>	s <sub>7</sub>	s <sub>9</sub>	Order number
3	6	1,5	M 14x1,5	61	110	19	27	24	J2-RV-3
4	8	2	M 16x1,5	61	110	22	27	24	J2-RV-4
6	10	2	M 18x1,5	61	110	22	27	24	J2-RV-6
8	12	2	M 20x1,5	61	114	24	27	24	J2-RV-8
10	13,5	1,75	M 22x1,5	68	129	27	30	24	J2-RV-10
12	17	2,5	M 24x1,5	68	130	30	30	24	J2-RV-12
16	21	2,5	M 30x1,5	80	152	36	41	36	J2-RV-16
20	27	3,5	M 36x2	84	166	46	46	41	J2-RV-20
25	34	4,5	M 45x2	99	187	55	60	55	J2-RV-25

## Non-return valves

### M3RV Series for pressures up to PN 320:

DN	d <sub>1</sub>	s	d <sub>3</sub>	l <sub>1</sub>	l <sub>2</sub>	s <sub>3</sub>	s <sub>7</sub>	s <sub>9</sub>	Order number
3	6	1,5	M 14x1,5	61	110	19	27	24	M3-RV-3
4	8	2	M 16x1,5	61	110	22	27	24	M3-RV-4
5	10	2,5	M 18x1,5	61	110	24	27	24	M3-RV-5
6	12	3	M 20x1,5	61	118	27	27	24	M3-RV-6
8	13,5	2,75	M 22x1,5	68	129	30	30	27	M3-RV-8
10	16	3	M 24x1,5	68	137	32	30	27	M3-RV-10
12	20	4	M 30x2	84	163	36	41	36	M3-RV-12
16	25	4,5	M 36x2	88	173	46	46	41	M3-RV-16
20	30	5	M 42x2	102	197	50	55	50	M3-RV-20
25a	35	5,5	M 48x2	107	207	55	60	55	M3-RV-25a
25	38	6	M 52x2	107	213	60	60	55	M3-RV-25

### J3RV Series for pressures up to PN 320:

DN	d <sub>1</sub>	s	d <sub>3</sub>	l <sub>1</sub>	l <sub>2</sub>	s <sub>3</sub>	s <sub>7</sub>	s <sub>9</sub>	Order number
3	6	1,5	M 14x1,5	61	110	19	27	24	J3-RV-3
4	8	2	M 16x1,5	61	110	22	27	24	J3-RV-4
5	10	2,5	M 18x1,5	61	110	24	27	24	J3-RV-5
6	12	3	M 20x1,5	61	118	27	27	24	J3-RV-6
8	13,5	2,75	M 22x1,5	68	129	30	30	27	J3-RV-8
10	17	3	M 27x2	75	145	36	36	30	J3-RV-10
12	21	4	M 33x2	86	166	41	46	41	J3-RV-12
16	27	4,5	M 39x2	97	183	46	50	46	J3-RV-16
20	34	5,5	M 48x2	107	205	55	60	55	J3-RV-20

For orders on individual parts we need the following information:

Pieces	Component	Designation	Order number	Material number
2	1	Weld-on stub	(Series)-(DN)- 1	_____
2	2	Clamping nut	(Series)-(DN)- 2	_____
1	70	Non-return valve	(Series)-(DN)- 70	_____

### Material:

Material number acc. to DIN	Material specification	AISI material specification	DILO material code letter
1.0460	P250GH	1022M	A
1.4571	X6CrNiMoTi17-12-2	316Ti	C