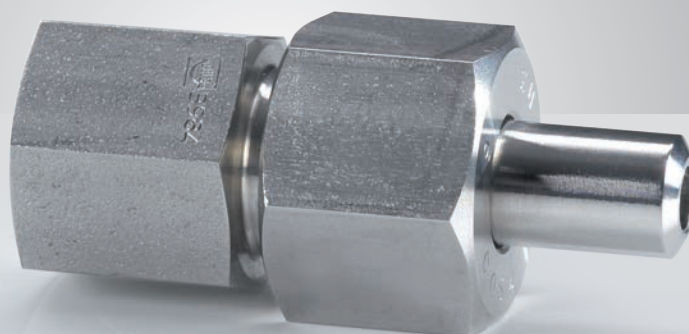


## Gauge connecting unions



**These gauge connecting unions allow comfortable and safe assembly of pressure gauges in pipe systems ranging from DN3 to DN10.**

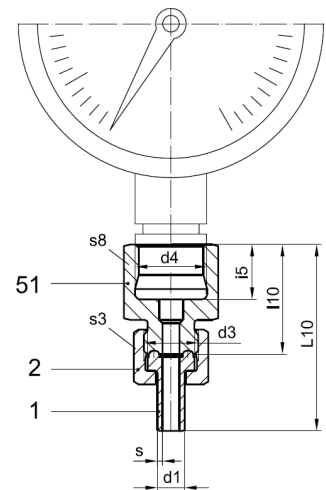
**The versions for different pressure ranges and thread types cover all standard requirements.**

**On request, the suitable copper seals are available as optional accessories.**

■ Gauge connecting unions

52

# Gauge connecting unions



- For reliable connection of gauges
- Available in pressure ranges of PN 100, 200 and 320 bar
- Suitable for G ¼", G ½" gauge threads and all commercial types
- Available in DN 3 to DN 10 tube diameters
- Other thread diameters are available on request
- Available in the following materials: DIN 1.0460, 1.4571 and 1.7335

### M1M-G Series for pressures up to PN 100:

#### M1M-G series for G ¼ gauge thread

DN	d <sub>1</sub>	s	d <sub>3</sub>	d <sub>4</sub>	L <sub>10</sub>	I <sub>10</sub>	i <sub>5</sub>	s <sub>3</sub>	s <sub>8</sub>	Order number	Material number	
											1.0460	1.4571
8	10	1,5	M 18x1,5	G ¼	54	29	13	22	19	M1M 8 / 59		
10	12	1,75	M 20x1,5	G ¼	56	29	13	24	24	M1M 10 / 59		

Accessories: copper seals for G ¼ gauge thread  
see page 67



#### M1M-G series for G ½ gauge thread

DN	d <sub>1</sub>	s	d <sub>3</sub>	d <sub>4</sub>	L <sub>10</sub>	I <sub>10</sub>	i <sub>5</sub>	s <sub>3</sub>	s <sub>8</sub>	Order number	Material number	
											1.0460	1.4571
4	6	1,25	M 14x1,5	G ½	53	32	16	17	24	M1M 4 / 51		
6	8	1,5	M 16x1,5	G ½	55	32	16	19	24	M1M 6 / 51		
8	10	1,5	M 18x1,5	G ½	59	34	16	22	24	M1M 8 / 51		
10	12	1,75	M 20x1,5	G ½	61	34	16	24	24	M1M 10 / 51		

Accessories: copper seals for G ½ gauge thread  
see page 68



# Gauge connecting unions

## M2M-G Series for pressures up to PN 200:

DN	d <sub>1</sub>	s	d <sub>3</sub>	d <sub>4</sub>	L <sub>10</sub>	l <sub>10</sub>	i <sub>5</sub>	s <sub>3</sub>	s <sub>8</sub>	Order number	Material number	
											1.0460	1.4571
3	6	1,5	M 14x1,5	G ½	57	32	16	19	27	M2M 3 / 51		
4	8	2	M 16x1,5	G ½	57	32	16	22	27	M2M 4 / 51		
6	10	2	M 18x1,5	G ½	57	32	16	22	27	M2M 6 / 51		
8	12	2	M 20x1,5	G ½	61	34	16	24	27	M2M 8 / 51		
10	13,5	1,75	M 22x1,5	G ½	65	34	16	27	27	M2M 10 / 51		

Accessories: copper seals for G ½ gauge thread  
see page 68



## M3M-G Series for pressures up to PN 320:

DN	d <sub>1</sub>	s	d <sub>3</sub>	d <sub>4</sub>	L <sub>10</sub>	l <sub>10</sub>	i <sub>5</sub>	s <sub>3</sub>	s <sub>8</sub>	Order number	Material number	
											1.0460	1.4571
3	6	1,5	M 14x1,5	G ½	57	32	16	19	27	M3M 3 / 51		
4	8	2	M 16x1,5	G ½	57	32	16	22	27	M3M 4 / 51		
5	10	2,5	M 18x1,5	G ½	57	32	16	24	30	M3M 5 / 51		
6	12	3	M 20x1,5	G ½	64	35	16	27	30	M3M 6 / 51		
8	13,5	2,75	M 22x1,5	G ½	66	35	16	30	30	M3M 8 / 51		
10	16	3	M 24x1,5	G ½	73	38	16	32	30	M3M 10 / 51		

Accessories: copper seals for G ½ gauge thread  
see page 68




For orders on individual parts we need the following information:

Pieces	Component	Designation	Order number	Material number
1	1	Weld-on stub	(Series)-(DN)- 1	_____
1	2	Clamping nut	(Series)-(DN)- 2	_____
1	51	Gauge connection piece	(Series)-(DN)- 51	_____

## Material:

Material number acc. to DIN	Material specification	AISI material specification	DILO material code letter
1.0460	P250GH	1022M	A
1.4571	X6CrNiMoTi17-12-2	316 Ti	C
1.7335	13CrMo4-5	A 182	D

 Parts available from stock