

Angle unions



Elbow DILO tube unions can be used for 90° angles. Angle unions are available with weld-on ends for applications where highest vibration resistance is required. They are also available with weld-on end and Whitworth screw-in thread.

Throttle-free swivel unions allow positioning of the weld-on end as per your requirements. Thus, any tubing can be established, no matter how complex they are.

Temperature resistance of all unions from -270 °C up to +500 °C, depending on the material used.

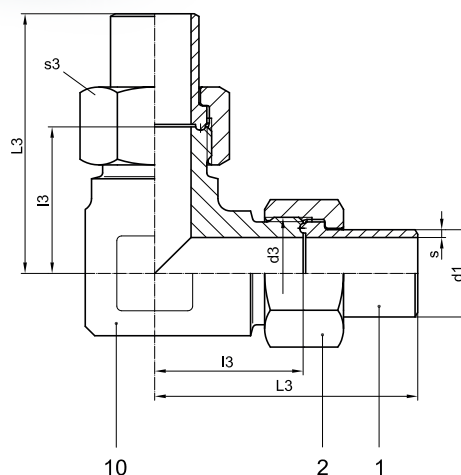
■ Angle unions

- Angle weld-on unions 32
- Angle screw-in unions with Whitworth thread 34
- Throttlefree angle-swivel unions with Whitworth thread 36

Angle weld-on unions



- With weld-on ends
- 90° angle
- Available for tube diameters from DN 3 up to DN 50
- Temperature-resistant from -270 °C up to +500 °C (dependant on the material used)
- Available for pressures up to 1.000 bar on request
- Available in DIN EN materials: 1.0460 and 1.4571
Other materials on request.
- Five-part union consisting of 2 weld-on stubs, 2 clamping nuts und 1 angle piece



M1AW Series for pressures up to PN 100:

DN	d ₁	s	d ₃	L ₃	l ₃	s ₃	Order number	Material number	
								1.0460	1.4571
4	6	1,25	M 14x1,5	42	21	17	M1AW 4		
6	8	1,5	M 16x1,5	50	27	19	M1AW 6		
8	10	1,5	M 18x1,5	52	27	22	M1AW 8		
10	12	1,75	M 20x1,5	57	30	24	M1AW 10		
12	15	2	M 22x1,5	60	31	27	M1AW 12		
16	18	2	M 26x1,5	64	33	32	M1AW 16		
20	22	2	M 30x1,5	68	35	36	M1AW 20		
25	28	2,5	M 36x2	84	47	41	M1AW 25		
32	35	2,5	M 45x2	94	54	50	M1AW 32		
40a	42	3	M 52x2	105	62	60	M1AW 40a		
40	44	3	M 56x2	111	68	65	M1AW 40		
50	57	4	M 68x2	128	80	75	M1AW 50		

 Parts available from stock

M2AW Series for pressures up to PN 200:

DN	d ₁	s	d ₃	L ₃	l ₃	s ₃	Order number	Material number	
								1.0460	1.4571
3	6	1,5	M 14x1,5	48	23	19	M2AW 3		
4	8	2	M 16x1,5	52	27	22	M2AW 4		
6	10	2	M 18x1,5	52	27	22	M2AW 6		
8	12	2	M 20x1,5	56	29	24	M2AW 8		
10	13,5	1,75	M 22x1,5	62	31	27	M2AW 10		
12	16	2,5	M 24x1,5	64	33	30	M2AW 12		
16	20	2,5	M 30x2	70	34	36	M2AW 16		
20	25	2,5	M 36x2	89	48	46	M2AW 20		
25	30	3	M 42x2	98	54	50	M2AW 25		
32	38	3,5	M 52x2	112	62	60	M2AW 32		
40	44	4,25	M 56x2	123	68	65	M2AW 40		
50	57	6	M 68x2	140	80	80	M2AW 50		

M3AW Series for pressures up to PN 320:

DN	d ₁	s	d ₃	L ₃	l ₃	s ₃	Order number	Material number	
								1.0460	1.4571
3	6	1,5	M 14x1,5	48	23	19	M3AW 3		
4	8	2	M 16x1,5	52	27	22	M3AW 4		
5	10	2,5	M 18x1,5	52	27	24	M3AW 5		
6	12	3	M 20x1,5	59	30	27	M3AW 6		
8	13,5	2,75	M 22x1,5	63	32	30	M3AW 8		
10	16	3	M 24x1,5	68	33	32	M3AW 10		
12	20	4	M 30x2	74	35	36	M3AW 12		
16	25	4,5	M 36x2	92	49	46	M3AW 16		
20	30	5	M 42x2	104	56	50	M3AW 20		
25a	35	5,5	M 48x2	112	61	55	M3AW 25a		
25	38	6	M 52x2	118	64	60	M3AW 25		
32	44	6,75	M 60x2	134	73	70	M3AW 32		

For orders on individual parts we need the following information:

Pieces	Component	Designation	Order number	Material number
2	1	Weld-on stub	(Series)-(DN)- 1	_____
2	2	Clamping nut	(Series)-(DN)- 2	_____
1	10	Angle	(Series)-(DN)- 10	_____

Materials: see „Material standards“ page 6